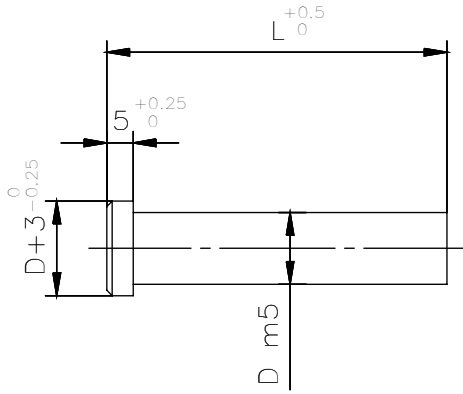
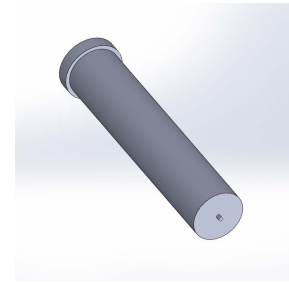
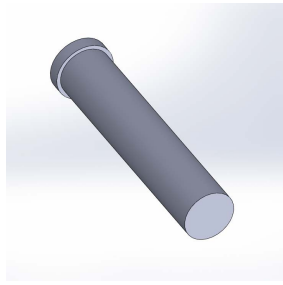
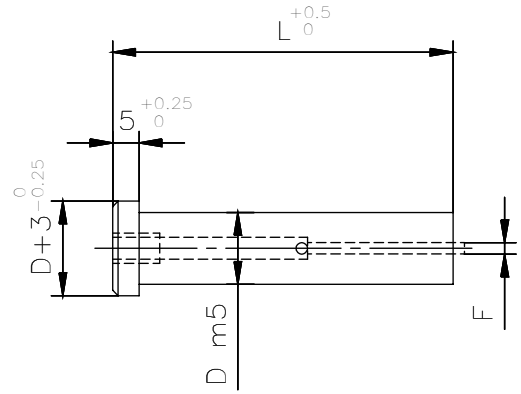


PUNZONI TESTA CILINDRICA SBOZZATI

Shoulder Punches Blanks Solid/Ejector



20010



20030

Acciaio/Steel: X82WMoV65 (M2)

Durezza/Hardness: HRC 60/64 – Testa/Head: HRC 50/55

| D | L | | | | | | | | |
|----|----|----|----|----|----|-----|-----|-----|-----|
| | 56 | 63 | 71 | 80 | 90 | 100 | 120 | 125 | 150 |
| 2 | ● | ● | ● | ● | ● | ● | | | |
| 3 | ● | ● | ● | ● | ● | ● | | | |
| 4 | ● | ● | ● | ● | ● | ● | | | |
| 5 | ● | ● | ● | ● | ● | ● | | | |
| 6 | ● | ● | ● | ● | ● | ● | | | |
| 8 | ● | ● | ● | ● | ● | ● | | | |
| 10 | ● | ● | ● | ● | ● | ● | ● | ● | |
| 13 | ● | ● | ● | ● | ● | ● | ● | ● | ● |
| 16 | ● | ● | ● | ● | ● | ● | ● | ● | ● |
| 20 | ● | ● | ● | ● | ● | ● | ● | ● | ● |
| 25 | ● | ● | ● | ● | ● | ● | ● | ● | ● |
| 32 | | ● | ● | ● | ● | ● | ● | ● | ● |

| D | F | L | | | | | |
|----|------|----|----|----|----|----|-----|
| | | 56 | 63 | 71 | 80 | 90 | 100 |
| 5 | 0,5 | ● | ● | ● | ● | ● | ● |
| 6 | 0,7 | ● | ● | ● | ● | ● | ● |
| 8 | 1,05 | ● | ● | ● | ● | ● | ● |
| 10 | 1,5 | ● | ● | ● | ● | ● | ● |
| 13 | 1,5 | ● | ● | ● | ● | ● | ● |
| 16 | 2,3 | ● | ● | ● | ● | ● | ● |
| 20 | 2,3 | ● | ● | ● | ● | ● | ● |
| 25 | 2,3 | ● | ● | ● | ● | ● | ● |
| 32 | 2,3 | | ● | ● | ● | ● | ● |